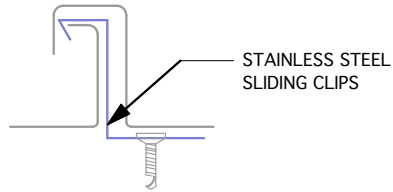


ANGLE STANDING SEAM SYSTEM

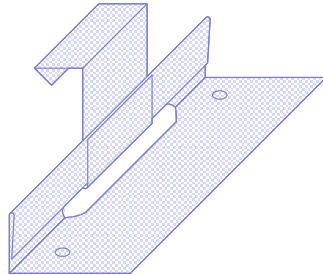


CRAFTMETALS

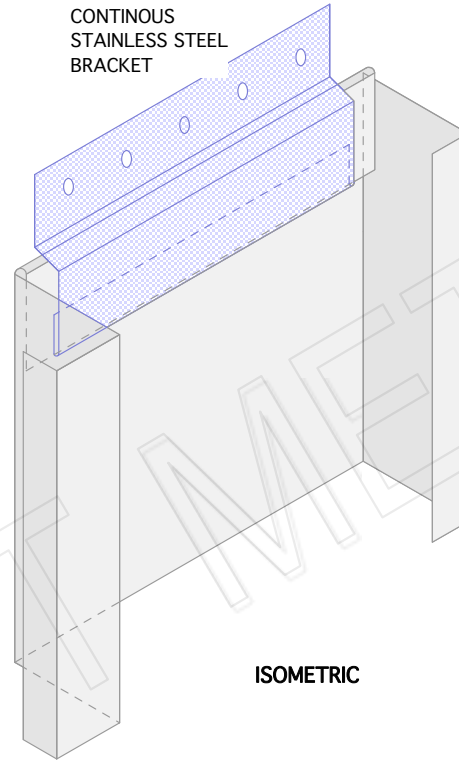
SEAM BEFORE CLOSING



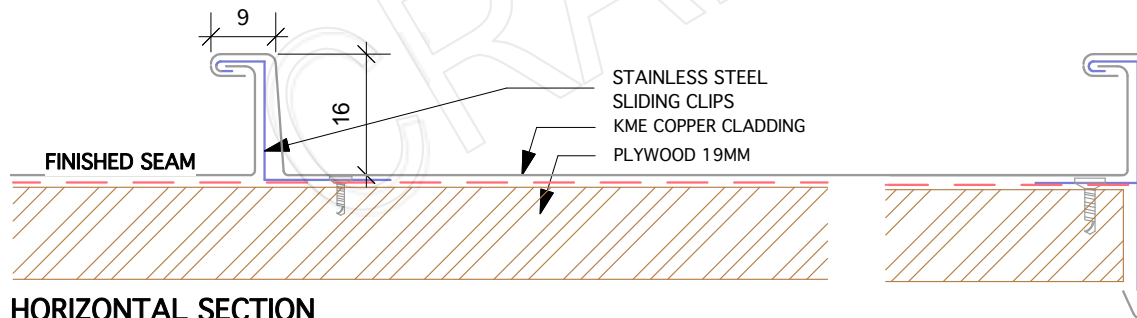
SLIDING CLIP



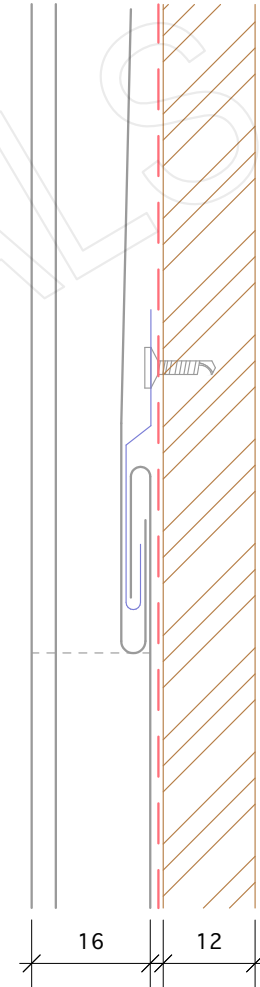
CONTINUOUS STAINLESS STEEL BRACKET



ISOMETRIC



HORIZONTAL SECTION



VERTICAL SECTION

COPYRIGHT:
ALL RIGHTS STRICTLY RESERVED AND ALL DESIGNS REMAIN THE PROPERTY OF CRAFT METALS PTY LTD
UNTIL FULLY ASSIGNED. REPRODUCTION OR DISCLOSURE TO THIRD PARTIES IN ANY FORM
WHATSOEVER IS NOT PERMITTED WITHOUT WRITTEN AUTHORITY FROM CRAFT METALS PTY LTD.