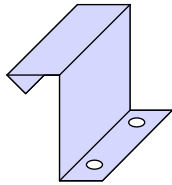


# DOUBLE STANDING SEAM SYSTEM



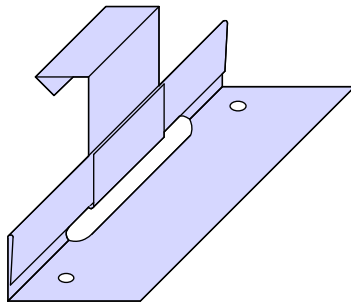
CRAFTMETALS

## FIXED CLIP \*

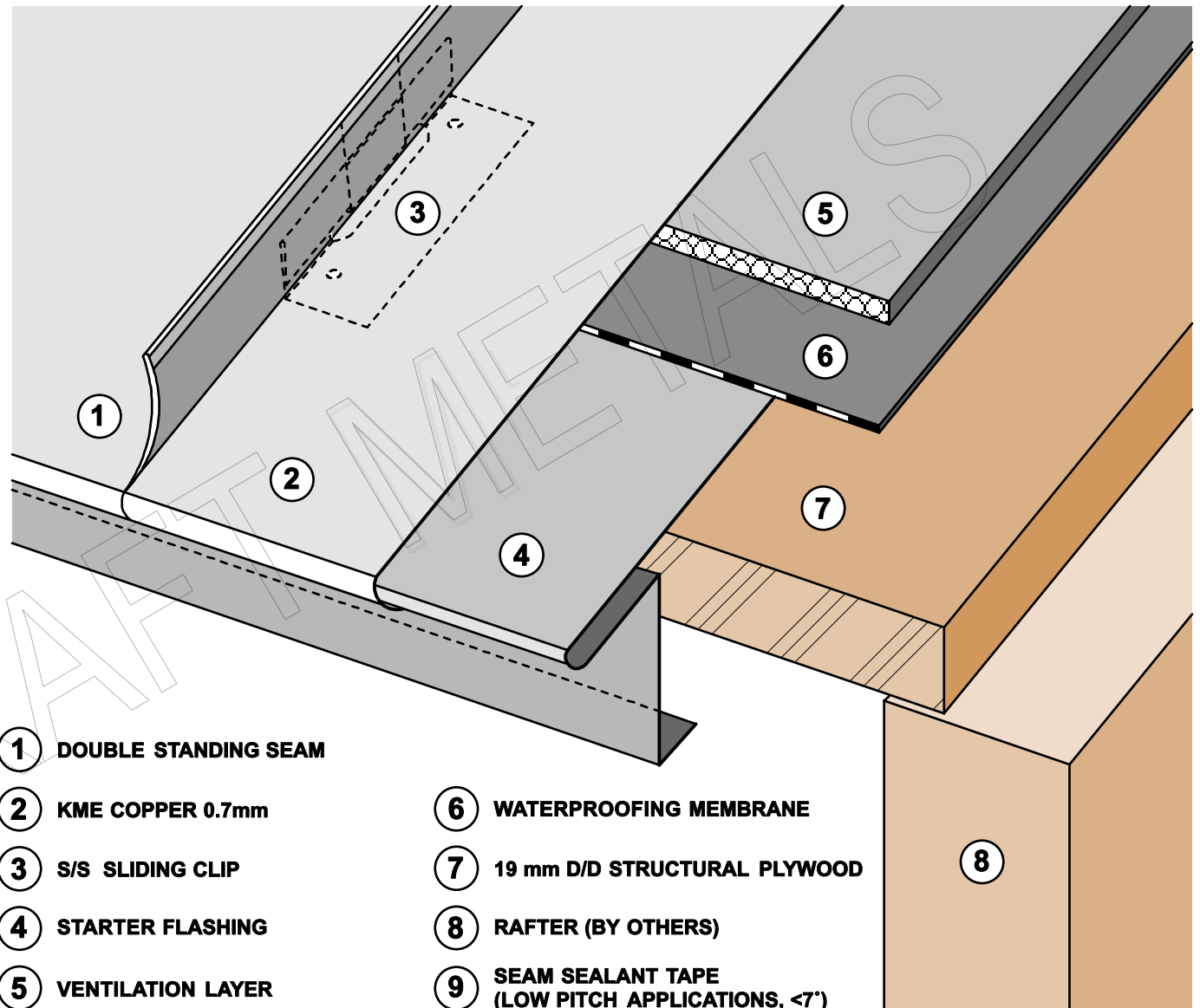
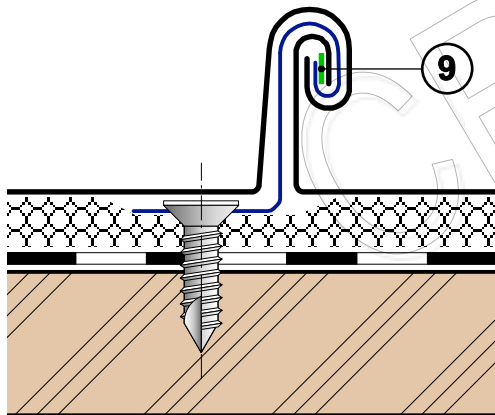


\* FOR EXACT NUMBER OF CLIPS  
PLEASE CONTACT ARC

## SLIDING CLIP \*



## HORIZONTAL SECTION



- ① DOUBLE STANDING SEAM
- ② KME COPPER 0.7mm
- ③ S/S SLIDING CLIP
- ④ STARTER FLASHING
- ⑤ VENTILATION LAYER

- ⑥ WATERPROOFING MEMBRANE
- ⑦ 19 mm D/D STRUCTURAL PLYWOOD
- ⑧ RAFTER (BY OTHERS)
- ⑨ SEAM SEALANT TAPE  
(LOW PITCH APPLICATIONS, <7°)

### COPYRIGHT:

ALL RIGHTS STRICTLY RESERVED AND ALL DESIGNS REMAIN THE PROPERTY OF CRAFT METALS PTY LTD  
UNTIL FULLY ASSIGNED. REPRODUCTION OR DISCLOSURE TO THIRD PARTIES IN ANY FORM  
WHATSOEVER IS NOT PERMITTED WITHOUT WRITTEN AUTHORITY FROM CRAFT METALS PTY LTD.